



SONDIKA – Vizcaya – España.

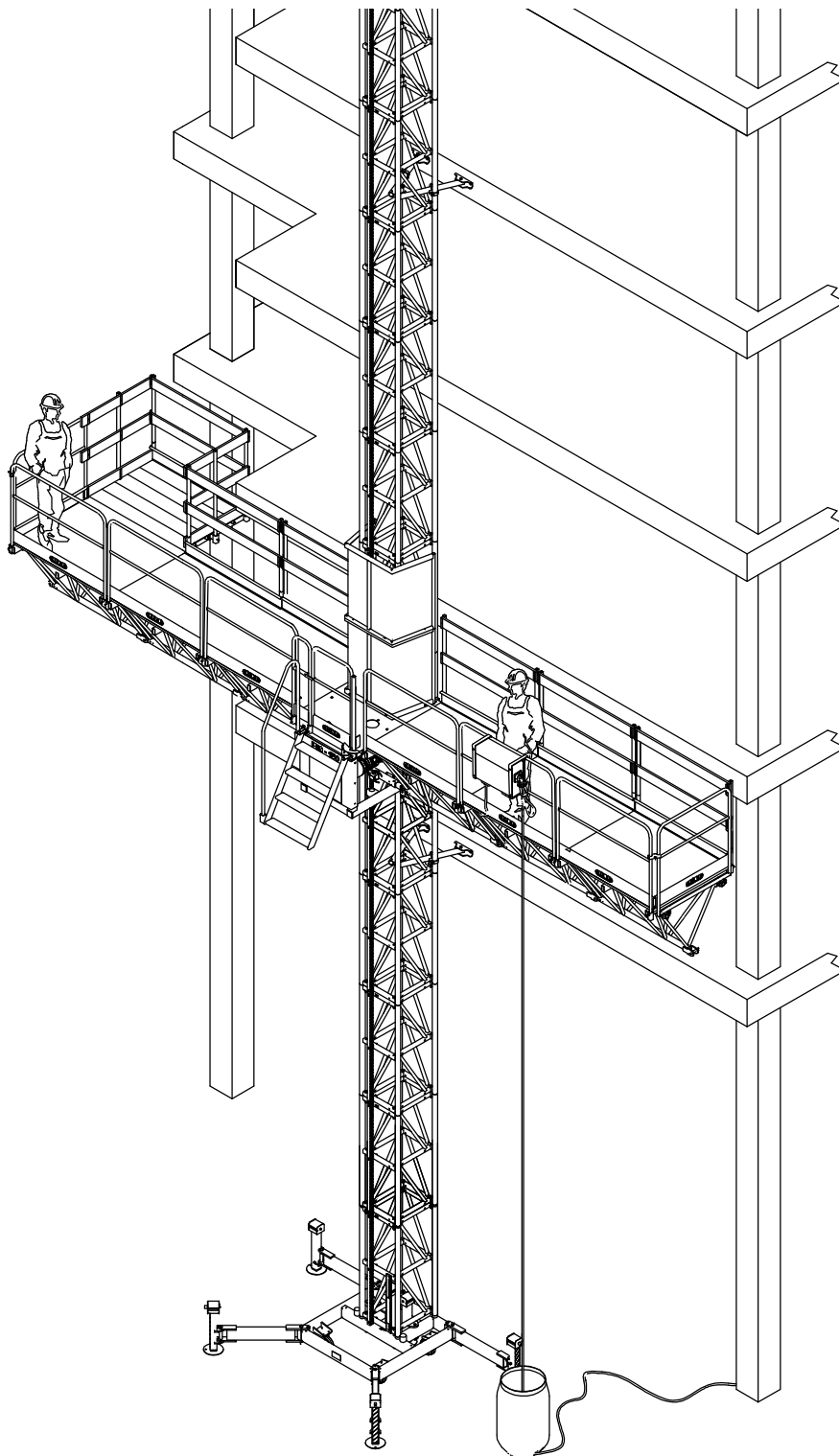
MIRANDA DE EBRO – Burgos – España.

☎ (+34) 944 711 600; 📠 (+34) 944 531 754

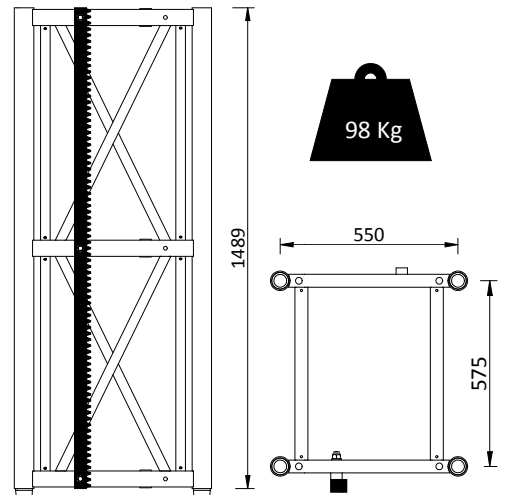
✉ : comercial@alba.es; 🌐 : www.alba.es

MAST CLIMBING WORK PLATFORM

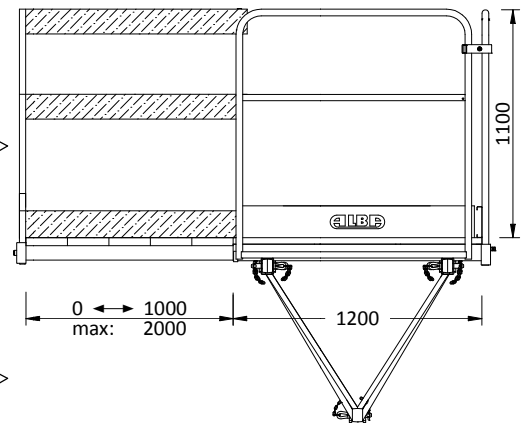
PEC-130



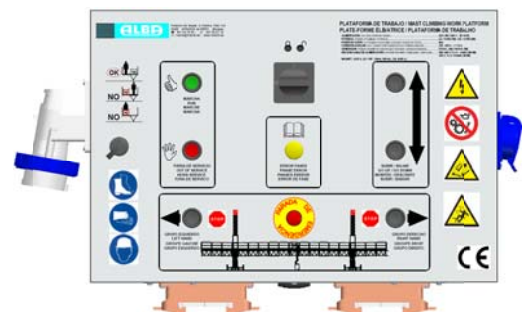
MAST COMPATIBLE WITH OTHER HOIST ALBA



PLATFORM MODULE COMPATIBLE WITH PEC-120



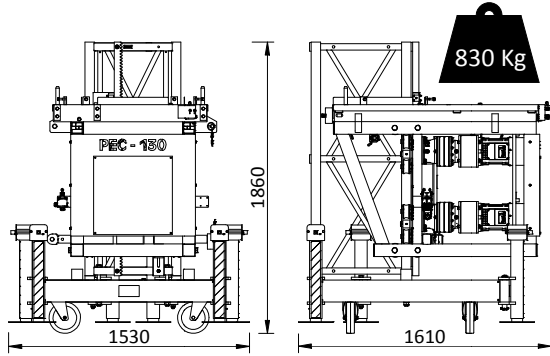
PLATFORM WITH AUXILIARY EXTENSION



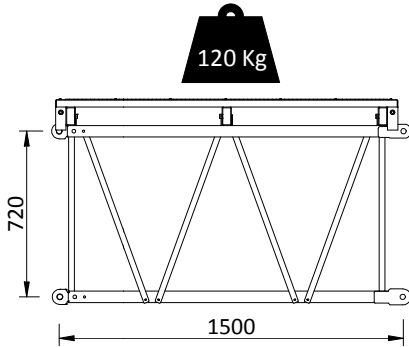
PANEL WITH VALIDATING CONTROL SYSTEM



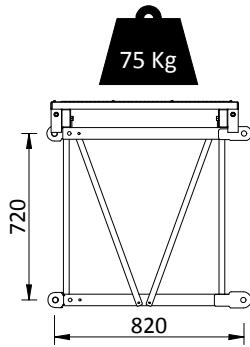
DIMENSIONS AND WEIGHTS



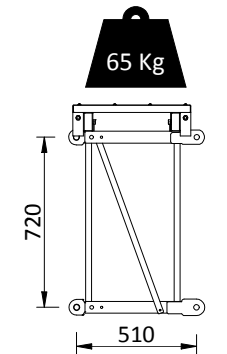
MAIN MOTOR-GROUP



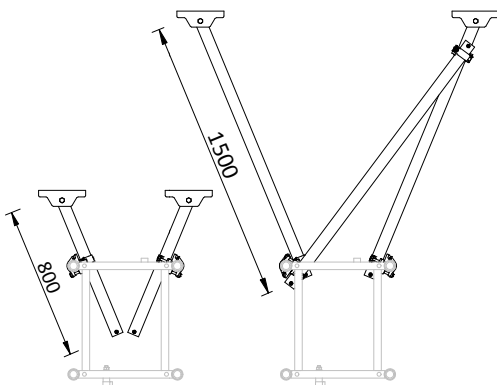
PLATFORM MODULE 1500



PLATFORM MODULE 820



PLATFORM MODULE 510



ARRANGEMENT OF ANCHORS

TECHNICAL FEATURES

	SINGLE MAST	TWIN MAST
Maximum length:	13 m.	33,5 m.
Maximum load:	2.000 Kg.	4.100 Kg.
Vertical speed:	7,5 m/min. _(50 Hz) 9 m/min. _(60 Hz)	
Platform width:	1.200 mm	
Platform extension:	· Standard: 1.000 mm. · Max : 2.000 mm. ^(*)	
Motor power:	2 x 2,2 KW. _(50 Hz) 2 x 3,0 KW. _(60 Hz)	4 x 2,2 KW. _(50 Hz) 4 x 3,0 KW. _(60 Hz)
Maximum height:	150 m. ^(**)	
Anchorage each (max.):	9 m.	
Height over last anchorage:	1,5 m.	
First anchorage height (max.):	9 m.	
Loading height-to-ground:	1.500 mm.	
Normative reference:	2006/42/EC, EN-1495	
Mast	Square	
Length:	1,5 m.	
Weight:	98 Kg	

(*) Case of longer floor extension, ask to manufacturer.

(**) Case of higher installation, ask to manufacturer

ELECTRICAL DATA

	SINGLE MAST		TWIN MAST	
	50 Hz	60 Hz	50 Hz	60 Hz
Motor power:	2 x 2,2 KW.	2 x 3 KW.	4 x 2,2 KW.	4 x 3 KW.
Input power connection:	400 V – 50Hz	220.380 V – 60Hz	400 V – 50Hz	220.380 V – 60Hz
Power consumption:	4,4 KW	6 KW	8,8 KW.	12 KW.
Nominal current:	12 A.	24/14 A.	24 A.	48/28 A.
Supply power:	10 KVA		20 KVA.	
Starting current:	66 A.	132/77 A.	132 A.	264/154 A.
Overload protection:	4 x 32 A. _(50 Hz) 4 x 63 A. _(60 Hz)			
Differential protection				
Calibre:	32 A. _(50 Hz) 63 A. _(60 Hz)			
Sensitivity:	300 mA.			
Control voltage:	48 V.			
Auxiliar handtools socket:	230 V – 50/60 Hz. 16 A.			
Cable section:	5 x 4 mm ² . _(50 Hz) 5 x 6 mm ² . _(60 Hz)		5 x 6 mm ² . _(50 Hz) 5 x 10 mm ² . _(60 Hz)	

SAFETY DEVICES INCLUDED AND OPTIONS

	INCLUDED	OPTION
· Gearmotors with electromechanical brake	✓	
· Safety centrifugal brake	✓	
· Emergency lowering lever	✓	
· Platform door with safety microswitch	✓	
· Buffers at the ground base	✓	
· Panel with validating control system	✓	
· Superior / Inferior endtrack limit switch	✓	
· Safety endtrack limit switch	✓	
· Mast presence detector	✓	
· Last mast without rack	✓	
· Automatic leveling system	✓	
· Platform floor of non-slipping galvanized steel	✓	
· Movement warning horn	✓	
· Phase control relay and warning led	✓	
· Emergency stop	✓	
· Base frame equipped with wheels	✓	
· Auxiliary hand tools socket 220V-16A.	✓	
· Input power connector with phase quick-change	✓	
· Aux. crane for mast assembly		✓
· Platform extension of special length		✓
· Modular floors for platform extension		✓
· Internal perimeter handrail posts		✓
· Safety networks to avoid falling materials		✓
· Angle 45° platform por special assemblies		✓
· Jib-crane rail system for load handling		✓

OTHER ALBA HOIST WITH MAST COMPATIBLE

· Mast climbing work platform	PEC-150
· Transport platform	PT-1800FA/B
· Builders hoist for loads	MC-2000/1800F
· Builders hoist for passengers and loads	EDC-1700/2000-20/40/60/ECO