



SONDIKA – Vizcaya – España.

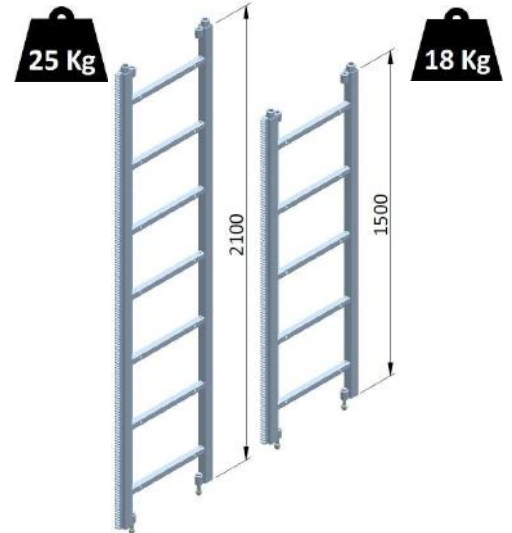
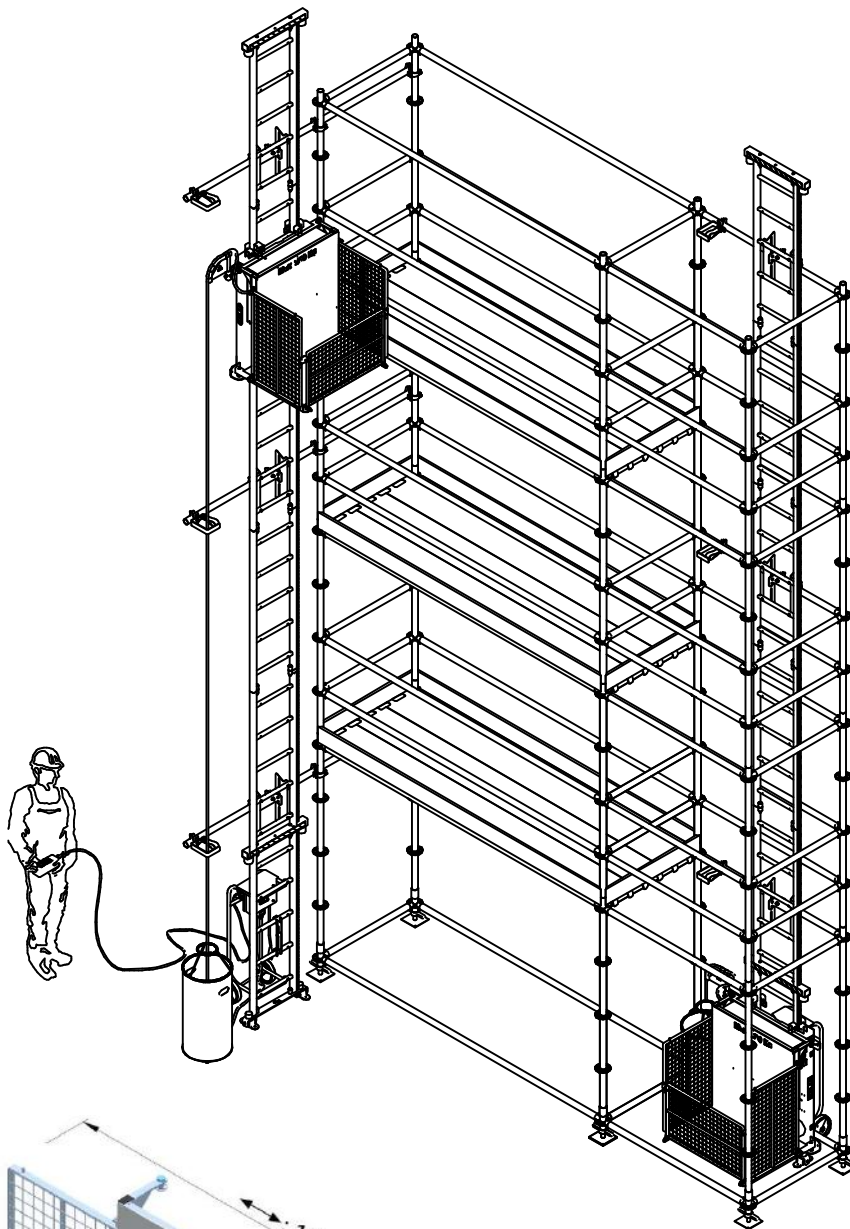
MIRANDA DE EBRO – Burgos – España.

☎ (+34) 944 711 600; 📠 (+34) 944 531 754

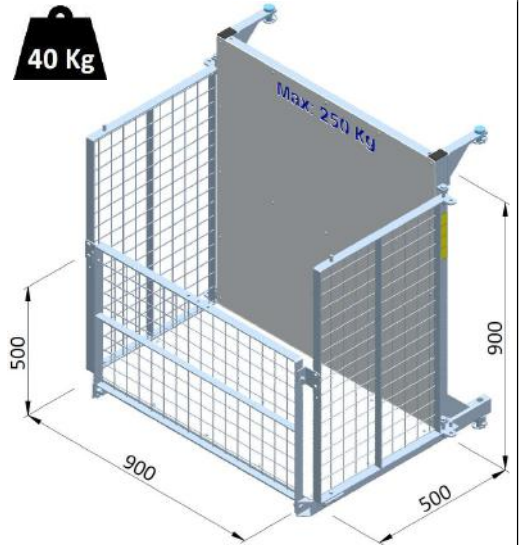
✉ : comercial@alba.es; 🌐 : www.alba.es

RACK AND PINION HOIST FOR MATERIALS

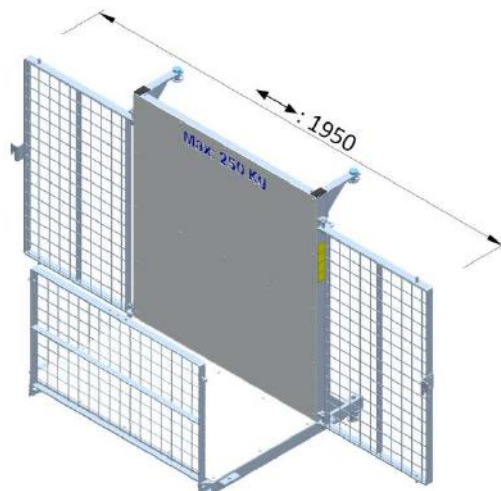
MC-250



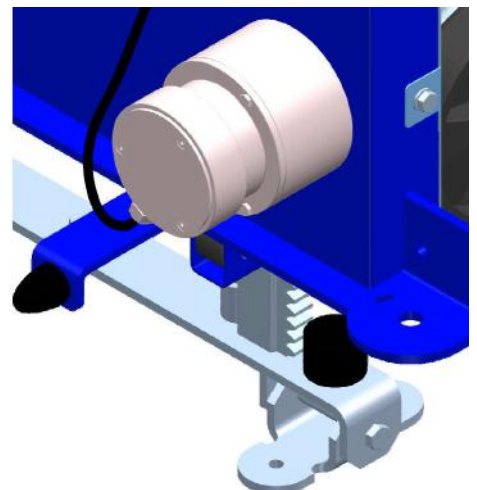
MAST WITH RACK FINISHED IN HOT GALVANIZED STEEL



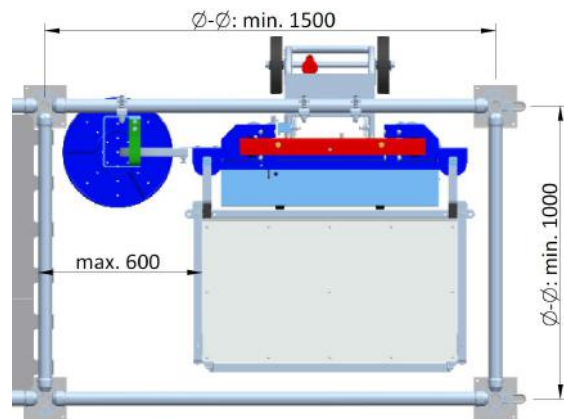
CARRIER BUILT IN GALVANIZED STEEL AND ALUMINIUM



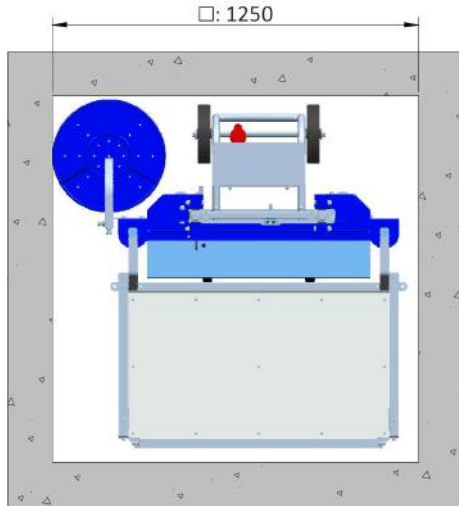
CARRIER DESIGNED FOR TRANSPORT BULKY LOADS



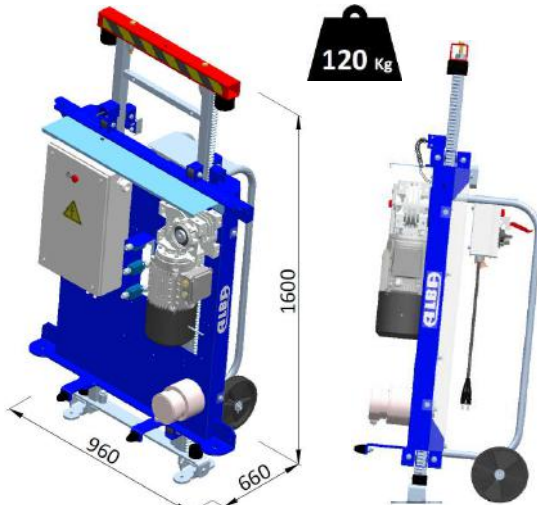
OVERSPEED PARACHUTE WITH AUTO-RECOVERY SYSTEM



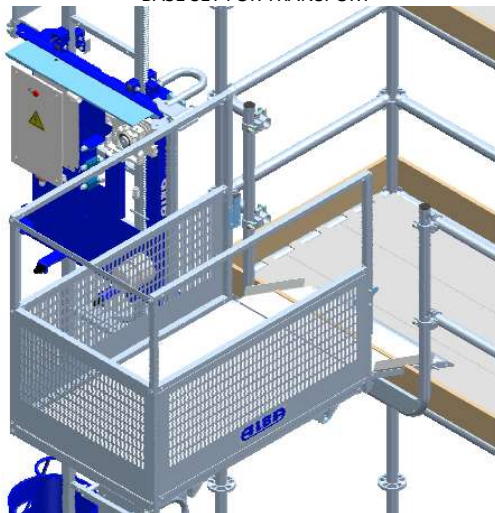
INSTALLATION DIMENSIONS INSIDE SCAFFOLD



INSTALLATION DIMENSIONS IN HOLLOW



BASE SET FOR TRANSPORT



CAGE ACCESSIBLE WITH 90° TURNING IN BOTH SIDES

TECHNICAL FEATURES

Maximum capacity:	250 Kg. ^(*)
Vertical speed:	20 m/min.
Standard carrier dimensions (LxWxH):	900 x 500 x 900 mm. ^(**)
Accessible cage dimensions (LxWxH):	1300 x 800 x 1100 mm.
Carrier for scaffold parts dimensions (LxWxH):	
Special tank for 70 L. (LxWxH):	
Motor power:	1,5 KW. ^(50 Hz) 1,8 KW. ^(60 Hz)
Normative reference:	2006/42/CE
Standard maximum height:	40 m. ^(***)
Anchorage each (max.):	3 m.
First anchorage (max.):	2 m.
Noise emission value:	<70dB

(*) Depending on type of carrier selected

(**) Other dimensions, ask to manufacturer

(***) For higher installation, ask to manufacturer

ELECTRICAL DATA

	50 Hz	60 Hz
Motor power:	1,5 KW.	1,8 KW.
Input power connection:	1~: 230 V – 50Hz.	1~: 220 V – 60Hz.
Nominal current:	10 A.	10 A.
Supply power:	5 KVA.	
Starting capacitor:	160 µF.	
Runnign capacitor:	70 µF.	
Overload protection:	2 x 16 A.	
Differential protection		
Calibre:	16 A.	
Sensitivity:	300 mA.	
Control voltage:	48 V.	

SAFETY DEVICES INCLUDED AND OPTIONS

	DE SERIE	OPCIONAL
• GENERAL:		
· Gearmotor with electromechanical brake	✓	
· Overspeed parachute with auto-recovery system	✓	
· Emergency lowering lever	✓	
· LED for fault detection	✓	
· Buffers at the ground base	✓	
· Superior endtrack buffers	✓	
· Superior / Inferior endtrack limit switch	✓	
· Safety endtrack limit switch	✓	
· Mast presence detector	✓	
· Motor with thermal probe	✓	
· Emergency stop	✓	
· Kit for installation of 3 –intermediate stops in mast		✓
• CAGE ACCESSIBLE:		
· Cage door with electrical interlock	✓	
· Cage floor of non-sliping material	✓	
· 90° turning system with electrical interlock	✓	
· Landing doors with electrical / mechanical interlock		✓
· Base frame enclosure		✓

