



SONDIKA – Vizcaya – España.

MIRANDA DE EBRO – Burgos – España.

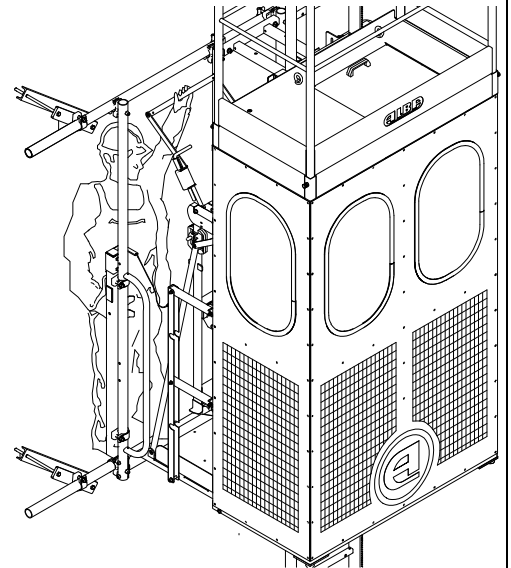
☎ (+34) 944 711 600; 📠 (+34) 944 531 754

✉ : [comercial@alba.es](mailto:comercial@alba.es); 🌐 : [www.alba.es](http://www.alba.es)

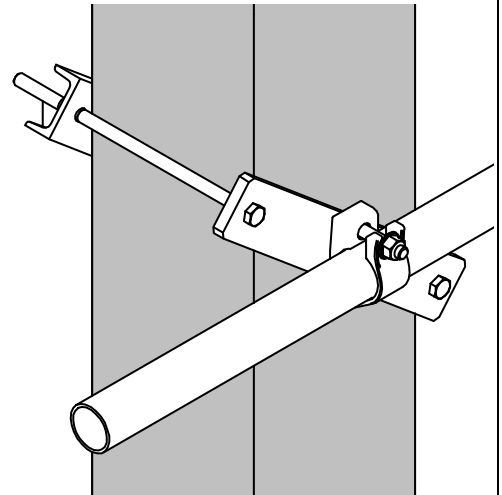
CRANE OPERATOR SERVICE HOIST

# EG-250

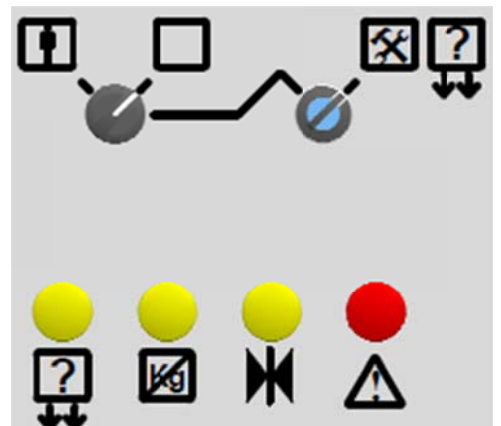
ACCESS TO WORKPLACE FAST AND SECURE



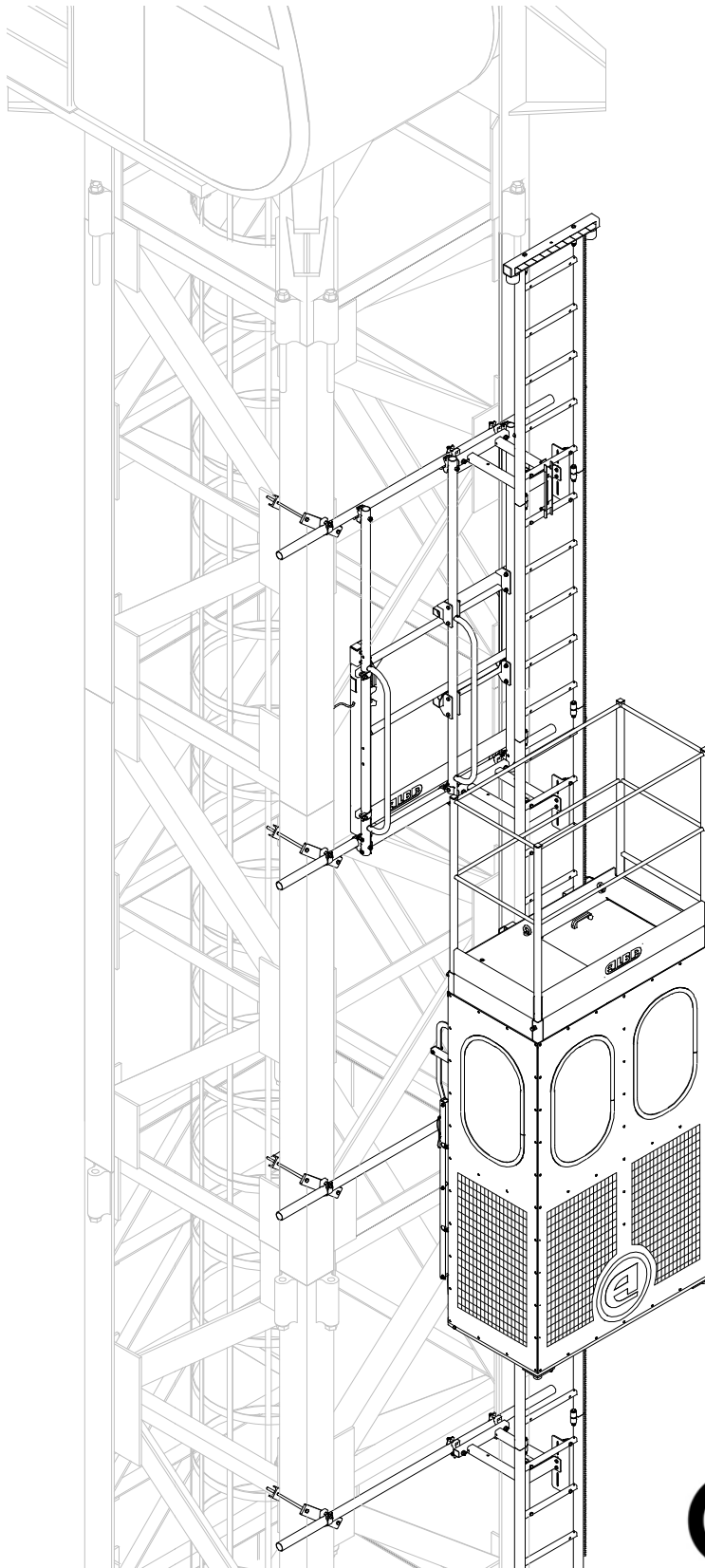
FINISHED IN HOT GALVANIZED STEEL



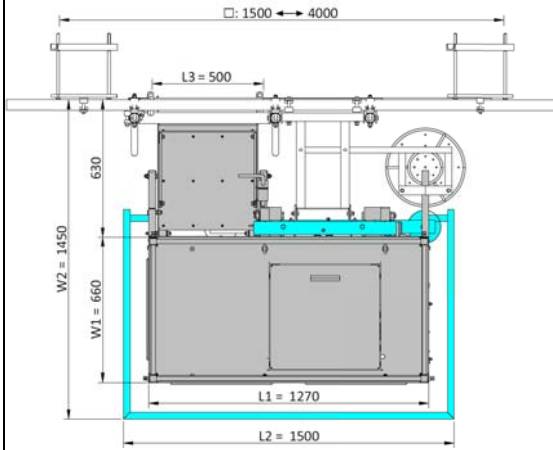
ANCHORAGE COMPATIBLE WITH ALL TYPES OF CRANE



VALIDATING CONTROL SYSTEM AND DIAGNOSTIC LEDS



## INSTALLATION DIMENSIONS



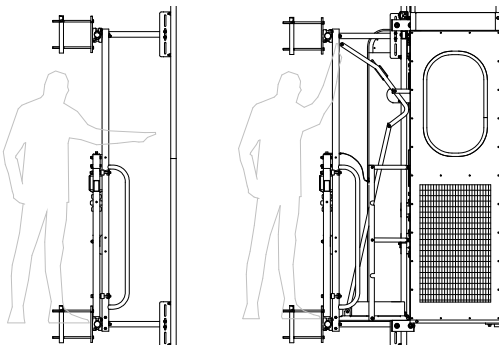
INTERIOR AND EXTERIOR CONTROL + INSPECTION MODE



CONTROL TO SEND OR CALL THE HOIST AT ACCESS POINTS



OVERSPEED PARACHUTE WITH AUTO-RECOVERY SYSTEM



FOLDING RAMPS WITH AUTOMATIC SIDE PROTECTION

## TECHNICAL FEATURES

	50 Hz	60 Hz
Maximum capacity:	2 pax – 250 Kg.	
Vertical speed:	20 m/min.	
Cage dimensions (LxWxH):	1.200 x 600 x 2.050 mm	
Minimum hoistway:	□ 1.500 x 1.500 mm	
Motor power:	2 x 1,1 KW.	2 x 1,32 KW.
Motor control:	DIRECT	
Normative reference:	2006/42/CE ; EN-81-43	
Maximum height:	120 m.	
Anchorage each:	2,1 m. <sup>(*)</sup>	
Minimum load height:	300 mm.	
Mast section	Ladder mast s/ EN-131	
Lenght:	1,5 m.	
Weight:	18 Kg	
Maximum load (assembly):	150 Kg.	
Noise emission value:	<70dB	

(\*) Other possibilities, ask to manufacturer

## ELECTRICAL DATA

	50 Hz	60 Hz
Motor power:	2 x 1,1 KW.	2 x 1,32 KW.
Input power connection:	400 V – 50Hz	440 V – 60Hz
Power consumption:	2,2 KW.	2,64 KW.
Nominal current:	6 A.	7 A.
Supply power:	8 KVA.	
Starting current:	33 A.	38 A.
Overload protection:	4 x 10 A.	
Differential protection		
Calibre:	10 A.	
Sensitivity:	300 mA.	
Control voltage:	48 V.	
Auxiliar handtools socket:	230 V – 50/60 Hz. 16 A.	
Cable section:	5 x 2,5 mm <sup>2</sup>	

## SAFETY DEVICES INCLUDED AND OPTIONS

	INCLUDED	OPTION
- Gearmotor with electromechanical brake	✓	
- Overspeed parachute with auto-recovery system	✓	
- Emergency lowering lever	✓	
- Cage door with automatic side protection	✓	
- Landing doors with electrical interlock		✓
- Base frame enclosure		✓
- Hoist control panel with signaling LEDs:		
- CAGE / LANDING DOOR OPEN		
- OVERSPEED PARACHUTE	✓	
- CAGE OVERLOAD		
- OUT OF SERVICE		
- Buffers at the ground base	✓	
- Superior / Inferior endtrack limit switch	✓	
- Safety endtrack limit switch	✓	
- Overload detection device	✓	
- Mast presence detector	✓	
- Superior endtrack buffers	✓	
- Cage floor of non-slipping material	✓	
- Phase control	✓	
- Emergency stop	✓	
- Emergency exit, accesible roof with handrails	✓	
- Portable control panel for hoist assembly	✓	
- Control panel at lower access to send or call the hoist	✓	
- Control panel at upper access to send or call the hoist		✓